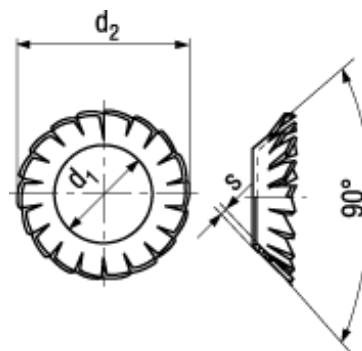




DIN 6798 V

Standard withdrawn

350-425 HV



BN 30718

Serrated lock washers

type V, for countersunk head screws

Spring steel 350-425 HV


zinc plated blue

- ~UNI 8842 V



ISO 4042

Fasteners hardness ≥ 320 HV with electroplated coatings:
Susceptible to hydrogen embrittlement!
Further notice to residual risks can be found in the introduction section.

Article#		d ₁ min.	d ₂ -	s
5401520	M3	3,2	6	0,2
5401521	M4	4,3	8	0,25
5401522	M5	5,3	9,8	0,3
5401523	M6	6,4	11,8	0,4
5401524	M8	8,4	15,3	0,4
5401525	M10	10,5	19	0,5
5401526	M12	13	23	0,5