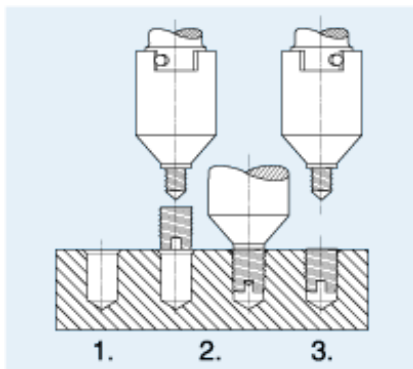


BN 903

Self-cutting threaded inserts

Brass

plain



1. Drill the hole
2. Drive the insert into the workpiece (insert is cutting its own thread)
3. Disengage assembly tool

Article#	d ₁	P	d ₂	L
1372165	M3	0,5	5	6
1372181	M4	0,75	6,5	8
1372203	M5	1	8	10
1372211	M6a	1	9	12
1372238	M6	1,5	10	14
1372246	M8	1,5	12	15
1387197	M10	1,5	14	18
1416138	M12	1,5	16	22